



PLAY AND LEARN BRIDGE IN A WELCOMING ENVIRONMENT

ALERT – August 5, 2024

Click [here](#) to access our regular game schedule.

Looking Ahead

- August 5 onwards: There will be **no more bridge labs until September 9** due to low attendance.
 - ♥ August 5-10: All BBO games will be **NAP games**, \$1 surcharge
 - ♥ **Effective August 8: The Thursday morning 749 game will become a 499 game.**
 - August 11; **Both Sunday morning games are cancelled**
 - ♥ August 10-11: **Tillsonburg Golden Leaf Sectional Tournament**
 - ♥ August 12-17: All F2F games will be **club championship games** – extra master points at no extra cost
 - ♥ **Effective August 18: The Sunday morning 749 game will change to a 499 game.**
 - ♥ August 19-23: All F2F open games will be **NAP games**, \$1 surcharge
 - ♥ August 30: The Friday afternoon 749 game will be **a pop-up game**.
 - ♥ September 1: **BBO Pop-Up Game**
 - ♥ September 2: **All games will proceed as usual** on Labour Day (but no bridge lab).
 - ♥ September 7-8: **St. Thomas Jumbo Tournament**
-

Change to 749 Games

Contributed by Joe Blake

The Games Committee has been monitoring the GRBC online games and has noticed attendance has been a bit spotty for many of our games. After some discussion we are going to make a couple of changes.

Effective August 8, the Thursday morning 749 game will become a 499 game. Effective August 18, the Sunday morning 749 game will be changed to a 499 game. The Games Committee constantly reviews and evaluates the status of ALL of our games as to whether they continue to be viable. If you would like to see these games continue, please show that to us by participating in them.



Congratulations to

the following local players who were in the money during the latter part of the Toronto NABC

- **Jennifer Verdam, Adrian Record, Debbie Feldman, and Christopher Cowan**, 4th in X, Wednesday Top-Flight Swiss
- **Bruce Roberts, Dianne Aves, David Longstaff, and Robert Griffiths**, 5th in Y, Wednesday Top-Flight Swiss
- **Margot Stockie, Thea Davis, Sandy Graham, and Mary McClelland**, 2nd, Wednesday Bracket B Teams
- **Peter Peng, Mike Peng, Jorry Chu, and Gabriel Sitarenios**, 1st, 2nd Thursday Bracket B Teams
- **Sal and Noah Pace**, 2nd in A, 2nd Thursday Gold Rush Pairs
- **Tong Chen and Linghe Yang**, 1st in A, 2nd Friday Morning 299er
- **Sandy Graham, Mary McClelland, John Hanemaayer, and Paul Latimer**, 3rd, Friday Bracket Teams 8
- **Neil Coburn, Neil Jeffrey, Roy Dandyk, and Stephen Carpenter**, 1st, Saturday Bracket B Teams 4
- **Peter Peng, Mike Peng, Sandy Graham, and Mary McClelland**, 1st, Sunday Bracket B Teams 1
- **John Hanemaayer and Paul Latimer**, 10th, Bean Red Ribbon Pairs

and to the following local players who have advanced to the next ACBL rank

Junior Master

- **Becky Blake**
- **Sandra Stone**
- **Club Master**
- **Sonja Miner**

Sectional Master

- **Phil DeMontigny**
- **Carol Robinson**
- **Trent Robinson**
- **Joan Stroud**

Regional Master

- **Elaine Doyle**
- **Reinhold Kauk**

NABC Master

- **Judy Beauchamp**

Bronze Life Master

- **Lissa Lowes**

Silver Life Master

- **Donna Angst**

Ruby Life Master

- **Mircea Giurgeu**

and a warm welcome to the following new ACBL members

- **Kathy Burns**
- **Sandra Fickling**
- **Karen Pound**

Crossing That Bridge When They Come to It

There are a lot of folks out there who would just love to learn to play bridge and join our club – they just haven't heard about us yet

- Do you know someone who likes games – especially card games?
- Do you know someone who would enjoy the camaraderie at our club?
- Do you know someone who is mentally very sharp – and wants to stay that way?

Then tell them about our **Learn Bridge in a Day** event on Saturday, September 14 from 10:00 am – 3:00 pm in our teaching room.

- **Instructor: Stephen Carpenter**
- **Fee: \$35**
- **Current Enrollment: 7**

This is a very fun day, designed to give the attendees a taste of bridge – and an appetite for more!

Click [here](#) for more information and to register someone.



My Summer Vacation, Part 1

Contributed by Jenn Verdam

I started a new job April 1. It's always a delicate process agreeing on an employment contract. You have to decide your needs, your nice-to-haves, and the hills you're prepared to die on. In this case, I decided that those hills included Gatlinburg (literally three weeks after my start date) and the NABCs (I was the charity and prizes chair, shared the secretarial role with Liz Williams, and am terrified of Darlene Scott who would have hunted me down to the ends of the earth if I said I wasn't coming). Fortunately, they agreed. I went to Gatlinburg, and I went to the NABCs.

The NABCs are pretty challenging if you have more than 4,000 points or if your tournament partner has more than 4,000 points and drags you up into the stratosphere with him. I can't say I was particularly reluctant – it's also really good bridge. Even events with super-friendly names like, "the Freeman Mixed Pairs 0-10,000 Teams," are filled with equally super-friendly 23-year-old Norwegian juniors, who were playing in Poland last week and who are on their way to world championships – and those are the ones getting knocked out. Still, we had a lot of fun, and we did fine.

We played in the Darlene Scott Open Teams event on Monday and came third. My hand of the day was a 3NT hand in which I was shocked to find myself - and which had no business making.

First an explanation: Adrian and I play a convention called Raptor, which is a 1NT overall showing 6-16 and at least one four card major and a longer minor. In all cases, one of the suits is known and one is unknown, depending on the opponent's bid. I pick up this hand and we have the following auction.

♠	—								♠	—
♥	—								♥	—
♦	—								♦	—
♣	—								♣	—
♠	A K x x	N							♠	—
♥	x	W	E						♥	—
♦	x x x	S							♦	—
♣	K x x x x								♣	—
♠	—								♠	—
♥	—								♥	—
♦	—								♦	—
♣	—								♣	—
West	North	East				South				
						1 ♥				
1 N ¹	Pass	3 N ²				All pass				

1. Hey partner!! I have four spades and a longer (five+) minor plus 6-16 points.
2. Cool! Let's play 3N because I am feeling frisky and I have a heart stopper, plus I think I know what your minor is!

The opening lead is the ♥9, and Adrian comes down with this hand (East).

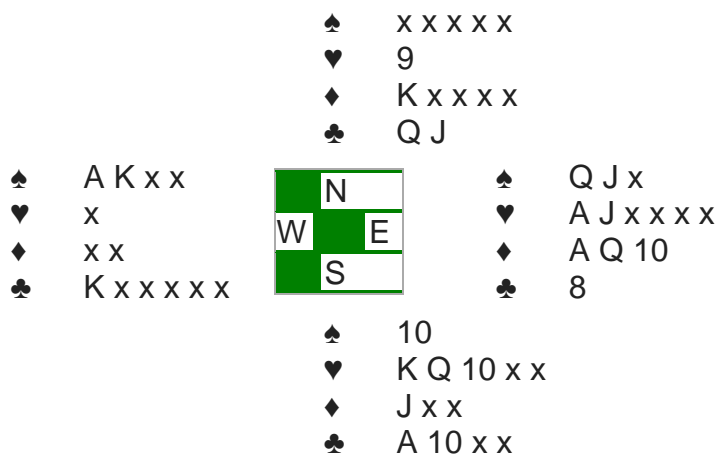
♠	—												
♥	—												
♦	—												
♣	—												
♠	A K x x	N								♠	Q J x		
♥	x	W	E							♥	A J x x x x		
♦	x x	S								♦	A Q 10		
♣	K x x x x x									♣	8		
♠	—									♠	—		
♥	—									♥	—		
♦	—									♦	—		
♣	—									♣	—		

So, I sit and I count my tricks. There aren't enough of them. I have six. I need nine. At least we are not doubled.

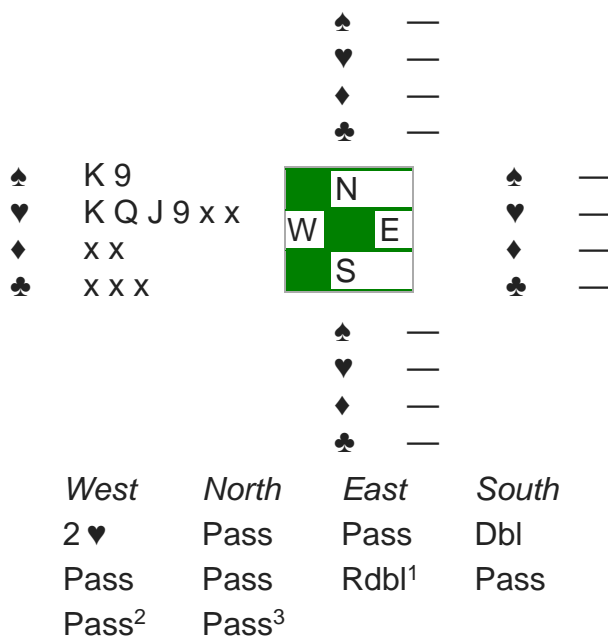
I duck the ♥9, and North switches to a small diamond. I play the 10 off the board and South wins their jack. South plays the ♥K, both North and I pitch a club, and I win the ace on the board. I play a small club to the king, which holds, and a small diamond to the queen on the board, which holds. My six tricks have grown to eight tricks! Hurrah! I cash the ♦A, and play the queen and jack of spades. South pitches a club on the second spade. I play a small spade to the ace and South pitches another club. I cash the ♠K and exit a club to RHO's ace,

who cashes their ♥Q but now has to give me Dummy's ♥J for my ninth trick. Phew! At the other table, E/W went to 4♠ and went down two.

Here is the full deal.

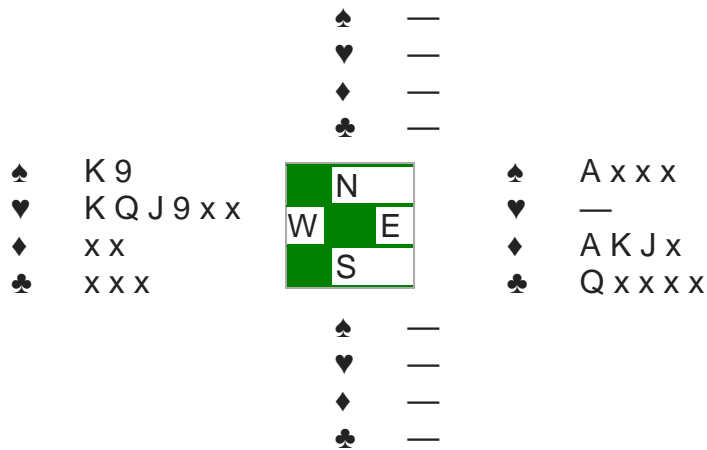


On Tuesday, we played in the Top-Flight pairs. In the second session, first seat, all vulnerable, I pick up the West hand. This is a pretty strong hand, and there is an argument that I could open this 1♥, but I decide that 2♥ is more descriptive. The auction proceeds as follows.



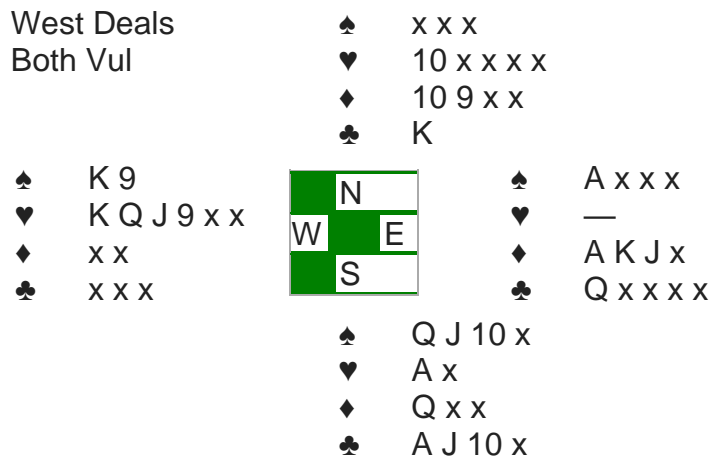
1. Jenn, please bid your three-card suit and get us out of this dangerous contract.
2. Adrian, my hand is so good and my three-card suit is awful. Plus, there is no way that North will leave this in...
3. Yeah, I am TOTALLY leaving this in.

Adrian says, "Before you lead, our agreement is that redouble says to get us out of here." I say, "Yes, I agree that this is our agreement." North says, "Ok," and leads the ♣K. Adrian says, "Well, as long as we're on the same page," and lays down his hand. He has this.



I study it for a minute and play small out of dummy. South encourages with a small club and I play small out of my hand. North switches to a spade, and I win the king in my hand and play the ♥K, losing to the ace in South's hand. South cashes the ace of clubs and, to no one's surprise, North shows out. South continues with the ♣J. I play my last club and North ruffs with a low heart. He leads a diamond and I win dummy's ace. I play the ♠A and ruff a spade. Both opponents follow. I play the ♥Q, and the ♥J. South shows out on the jack. So, North started with five hearts to the 10 and South with Ax. North has ruffed one club and played three hearts under my KQJ, so he has only the 10 left. I let him in with the 10 but still have the ♦K and two hearts. When the smoke clears, I have won the ♠AK, four hearts, and the ♦AK for eight tricks and +840.

Here is the full deal.



As a postscript, it is worth noting that I don't make a habit of ignoring my partner. In fact, at some point in the next couple of days we had a very similar auction, where I opened 2♥ and was doubled. Had Adrian redoubled on that hand, I would have bid my three-card diamond suit in a nanosecond.

As a second postscript, this was not a top. Someone out there managed to make 2♥ doubled with two overtricks for +870. I don't know how they did it but there was a double (yes, double) revoke call at another table at one point, so I suspect that they already had a one-trick penalty and then South was compelled to lead a diamond. It's the only way I can see to make ten tricks.



The Answer Lady

Contributed by Susan Lawton

As the "The Answer Lady" I have been responding to questions from "newer" players. A request has been made to share those players' questions and my responses in the Alert, essentially a column for the beginner player! You can write to me at suzan2420@yahoo.ca.

Question

My partner and I played the hand shown below in a recent GRBC F2F game. We were seated North/South. My partner North opened the bidding with 1♣, followed by three passes. Needless to say, we went down, as the opponents had more clubs than we did. My partner felt that I should have taken us out of the club contract especially given that I had only two clubs. But I had only five HCP's, which I thought were insufficient points to make even a one-level bid. Answer lady, what should have happened on this hand? Should South have bid something to rescue North? Signed, Two puzzled players

North Deals None Vul	♠ A K 4 ♥ K 9 8 2 ♦ A 3 ♣ 9 6 3 2		
♠ 9 8 3 ♥ Q 7 5 3 ♦ Q 10 9 5 ♣ A K	<div style="background-color: #008000; color: white; padding: 10px; display: inline-block;"> N W E S </div>	♠ 10 ♥ A 6 4 ♦ K 8 7 4 ♣ Q J 10 8 7	
	♠ Q J 7 6 5 2 ♥ J 10 ♦ J 6 2 ♣ 5 4		
<i>West</i>	<i>North</i> 1♣	<i>East</i> All pass	<i>South</i>

Answer

Dear puzzled players, thank you for sharing this hand and the ensuing questions.

A wise player once advised me against "rescuing" your partner, for a couple of reasons.

1. It gives your partner false hope by promising a stronger hand than you actually possess.
2. On occasion, the opponents might have a contract and by failing to balance, as they did here, they forfeit a better result.

We can't view the scores from this hand, but going down in clubs may not necessarily be a poor outcome.

However, there is another way to think about the South hand. I recognize that you have insufficient strength to bid at the one-level (that is, at least 6-9 HCPs), but what you do have is a six-card spade suit and five HCPs, enough strength and distribution to use a Weak Jump Shift (WJS). In other words, you might consider bidding 2♠ as opposed to 1♠ after North opens 1♣. That 2♠ bid, a WJS, is pre-emptive or weak and defines South's hand exactly: fewer than 0-5 HCPs and at least a six-card suit - in this case a six-card spade suit. For sure, your partner won't think you have a good hand and be tempted to bid on!

Weak Jump Shifts are frequently used by opponents as an overcall after opener bids one of a suit, but here we see the alternate option for WJS, a bid by Responder after Opener bids one of a suit.

The weak jump shift bid by Responder can be very effective, as it makes it difficult for the opponents to find a fit or even to enter the auction. In addition, 2♠ is a much easier contract for North/South. After South bids 2♠, North (with minimal opening values) would pass. The bidding would have gone: 1♣ p 2♠ ap.

If you and your partner agree to use weak jump shifts, you must both check the appropriate box or boxes on your convention card (near the bottom of the front page). Weak jump shifts in competition (when the opponents are bidding too) are not alertable, but weak jump shifts not in competition (when the opponents are silent) are **alertable**.





Bean There Done That

Contributed by Steve Allen, Treasurer GrandRiverBridgeClubTreasurer@gmail.com)

Once upon a time, there was a village in the Ninth county of Fairway. It was a quiet community with one major problem: the villagers had no skills in farming or hunting. Fortunately, there was one amongst them with the talent to provide food for everyone. Her name was Awnasyta. With her support, everyone was well-fed. The village grew steadily through the years. Life was indeed good.

Then THE DARKNESS came.

Awnasyta was too afraid to venture outside into THE DARKNESS and ceased to provide for the village. With no food, the villagers were facing *extreme* times. They were now going hungry! Fortunately, an orphan from another village came to live with them. Her name was Awnalyna. She, too, had a knack for hunting and gathering. She was not intimidated by THE DARKNESS. She provided twice as much food for the villagers than before. THE DARKNESS was still a danger for the village, but you'd never know it what with the bountiful supply that Awnalyna provided ... all by herself.

In time, normal life began returning to the village. Awnasyta learned to not fear THE DARKNESS as the world slowly brightened up. She was once again able to help provide for the village. However, the healthy appetite of the village population now meant that Awnalyna was also needed. They made a good team ... for awhile.

When THE DARKNESS had fully passed, the villagers wanted Awnasyta to provide like the olden times. Awnalyna got the impression that she was no longer loved. She began providing for other villages and less for the village in this story. Awnasyta struggled to meet the demands of the village all by herself. Before long, the village was facing rough times again and the people were again in danger of going hungry.

In 2023-2024, paid-up GRBC members played 8,684 times in GRBC BBO games and 9,264 times in competitor clubs' BBO games. Yup, members played more times "away" than local. FOR SHAME! In monetary terms, that's about \$50,000 in revenue that went into other clubs' bank accounts last year. Are you surprised? Here are the top five online places where our members spent their BBO money:

1. Gryphon II DBC (Knox) = 1,191 times
2. Southeast Carolina (SEC) = 995 (they share some of the revenue with us if the player qualifies)
3. Big Orange Country (Knox) = 493
4. Brunswick Seasides (SEC) = 379
5. Lee's Bridge Club = 263

During Covid19, 100% of our game income came from BBO and it amounted to *twice* what we would normally earn from F2F. Today, BBO accounts for only 15% of our revenue. Our BBO games struggle to stay alive, and we do not know if we can alter the decreasing BBO table count trend without your help.

In case you hadn't guessed, Awnasyta is GRBC "onsite" and Awnalyna is GRBC "online".

Now please go back and read the story again to understand what it's about!

From the Archives – Don't Bid Out of Turn

Bridge laws may seem arcane and even arbitrary at times, but there is actually solid thinking behind them. Take the case of bids (as opposed to passes) out of turn. A bid out of turn can convey a lot of very helpful information to the offender's partner, especially if in the normal course of affairs, the offender's partner would have had a chance to bid before the offender.

Thus, the rectification becomes more and more Draconian as the amount of damage to the opponents increases. Best case scenario (least damage) is when the out-of-turn bidder is seated to the left of the person whose turn it is to bid. Certain conditions apply, but generally speaking an out-of-turn bid in this position results in the offender's partner being required to pass the first time it is his turn to bid. However, if the out-of-turn bidder has committed his crime when it is his partner's or his left-hand opponent's turn to bid, then the offender's partner will usually be required to pass for the rest of the auction, plus there may be lead restrictions.

In short, the laws are sending a very strong message – don't bid out of turn or you (and especially your partner) will be sorry you did.

What do you see? 🤔 Hole in the ground, or a bale of hay?



Free Bridge Stuff

Wayne Jordan (jordansbytheriver@gmail.com, 519-277-0381) is helping Milos clean out his home. Available free to a good home are three folding bridge tables and eight folding chairs, as well as a small whiteboard. If you are interested, please contact Wayne.

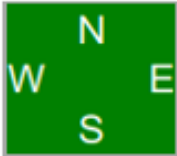
FOR OPEN PLAYERS



Dear David

Top or Bottom?

*Rod Serling would always obliquely introduce each week's episode of the Twilight Zone. His last sentence was the one that always grabbed you. In that vein:
"Things are not always what they seem to be in the world of bridge".*

♠ Q109 ♥ K8765 ♦ AK8 ♣ 42		♠ AK632 ♥ 3 ♦ Q10943 ♣ K10	
<i>West</i>	<i>North</i>	<i>East</i>	<i>South</i>
1♥	2♣	<i>dbl</i>	<i>pass</i>
2♦	<i>pass</i>	2♠	<i>pass</i>
4♠	<i>dbl</i>	<i>all pass</i>	

I was West. After my partner made a negative double (probably showing four+ spades and maybe four+ diamonds), I had an obvious problem with my rebid. I tend to not rebid a five-card major unless it is at least AQJ105 because it prompts partner to think bad things. When faced with this kind of conundrum (bidding one of your two three-card suits), it is usually better to choose the minor, even if the major is much better. Bidding the major often prompts partner to search for a major suit game, whereas the minor makes a search less likely.

Another agreement we have is that after partner opens and an opponent overcalls with a double or a suit, a new suit is non-forcing, 8-11 HCP. With more than 11, partner must double first (which partner will treat as an ordinary negative double) and then bid his five+ suit. Generally, an opener opposite an opener is a game force, so I jumped to 4♠. Something for you to remember—when you are in a game-forcing auction, a jump to game (4♠) shows a weaker hand than a 3♠ bid.

The double by West took everyone by surprise. South led a club to the ace and a club was returned. You have a sure second loser in hearts, so you need to worry only about losing the ♠J and ♦J. In order to make it easy on you, I will tell you that diamonds are splitting 3-2. At Trick 3, you lead the ♠2 and South plays the ♠4. How do you play the spades?

You originally worried that North had ♠J8754 (why else would he have found a double?). You could win the queen and then take a finesse so he gets only one spade trick. However, when South follows to the first spade, you could now plan to finesse North out of his ♠J875. Making 4♠ doubled with an overtrick is +990. Making four doubled without an overtrick is +790. Both are top scores, so let us guarantee our contract. If you finesse the ♠9 at Trick 3, North will show out!!!

You can now play three more rounds of spades and run your diamonds - making 4♠ doubled. Even if North started with four spades, he could not get more than one spade trick and the contract was safe. Why did North double with a spade void?

North had a great hand until I bid hearts, his primary source of strength. He had to make do with his secondary (still-very-strong) club suit. He had a problem when we got to game. If we make 4♠, he gets 15%. He gets 0% if he doubles. He is not risking much by doubling. He has two sure tricks and a potential of more in his own hand. The final factor is that the opposition will often muck up the hand by playing him for long spades, exactly what happened here. Partner couldn't shake his original impression that North had long spades.

Here is what our opponents would get in all scenarios: 4♠ doubled, down 1 = 85%; 4♠ down 1 = 58%; 4♠ making = 15%; 4♠ doubled, making = 0%. As you can see, the opponents would get either 15% or 0% if we made 4♠. North was risking very little for a big payday if it went down with his own strength (or with a little misdirection).



For Intermediate *Jake's*
Play a Bad Hand Well

No. 146

♠ A964
 ♥ K4
 ♦ 109653
 ♣ Q5



♠ K53
 ♥ AQ76
 ♦ KJ
 ♣ A763

West	North	East	South
			1NT
Pass	2♣	Pass	2♥
Pass	2NT	Pass	3NT
All pass			

As usual I was South, and this time I was declaring a 3NT contract. West led the ♠8, covered by dummy's ♠9 and East's ♠10, which I ducked. East continued with the ♠Q, and I won the trick in hand with my ♠K. West followed suit.

At Trick 3, I led the ♦K, which lost to West's ♦A, and East followed suit.

At Trick 4, West led another spade and I called for the ♠A, with East following suit.

If you were in my shoes, what would you do now?

SOLUTION

Thanks to the opponents, you can now count three tricks in spades. You also have three sure tricks in hearts and a sure trick in clubs, totalling seven sure tricks. To make your contract, you need two more tricks. Where might they come from?

1. **Hearts?** Developing a fourth heart trick seems unrealistic given that you are missing J1098xxx.
2. **Clubs?** The ♣Q is a 50% chance, depending on the location of the ♣K.
3. **Diamonds?** This is the most dependable option. However, your hand's "good" ♦J is a big problem, because if the opponents duck it, you'll need two entries to dummy to set up the suit - but you have only one sure entry to the board (the ♥K).

The solution is to dump your ♦J before you tackle diamonds. You can do this on the fourth spade (♠6) at Trick 5.

Now you can run dummy's diamonds from the top until an opponent takes the trick with their $\heartsuit Q$. Win the return and use dummy's $\heartsuit K$ to get to the board to cash dummy's remaining diamonds.

Here is the complete deal.

	\spadesuit A964										
	\heartsuit K4										
	\diamondsuit 109853										
	\clubsuit Q5										
\spadesuit 872	<table border="1"><tr><td></td><td>N</td><td></td></tr><tr><td>W</td><td></td><td>E</td></tr><tr><td></td><td>S</td><td></td></tr></table>		N		W		E		S		\spadesuit QJ10
	N										
W		E									
	S										
\heartsuit 10852		\heartsuit J93									
\diamondsuit AQ2		\diamondsuit 764									
\clubsuit J84		\clubsuit K1092									
	\spadesuit K53										
	\heartsuit AQ76										
	\diamondsuit KJ										
	\clubsuit A763										

You haven't lived until you have thrown away an ace for similar reasons, but throwing the $\heartsuit J$ is pretty satisfying. What a player!



Top Master Point Earners at our Club

Contributed by Allen Pengelly

This table lists the individuals who have earned the most master points at our club in each of three master point bands since the beginning of June.

Open Players			499er Players			99er Players		
	Name	MP		Name	MP		Name	MP
1	Cindy Mahn	40.26	1	John Kip	11.80	1	Randall DeKraker	11.90
2	David Baker	37.07	2	Rick Arthur	10.44	2	Peter Gaasenbeek	10.80
3	Edith Ferber	36.57	3	Bev Hitchman	8.19	3	Andrew Widdis	7.80
4	Roy Dandyk	29.94	4	Elinor Girouard	8.03	4	Phil DeMontigny	7.58
5	Mike Peng	29.74	5	Kevin Latter	7.72	5	Sharon Nesbitt	7.03
6	Kathy Russell	25.88	6	Renate Boucher	7.63	6	Nancy Kennedy	6.81
7	Suzanne Edwards	25.39	7	David Dennis	7.57	7	JP Fraresso	6.35
8	Ted Boyd	21.32	8	Joe Blake	7.32	8	Robert Darby	5.05
9	Moira Hollingsworth	20.41	9	Brian Gaber	7.30	9	Sheila Charters	4.57
10	Dave Quarrie	18.95	10	Cheryl Kip	7.28	10	Sonja Miner	4.33
11	Pat McMillan	17.49	11	Bob Gilck	7.19	11	Debbie Miethig	4.10
12	Steve Carpenter	17.40	12	Joan Slover	6.97	12	Joan Hartviksen	3.55
13	Neil Jeffrey	16.88	13	Steve Allen	6.43	13	Sandra Stone	3.47
14	Neil Coburn	14.67	14	Douglass Grant	6.22	14	Doug Fickling	3.21
15	Margot Stockie	14.60	15	Marlene Dopko	5.59	15	Mark Sherwood	3.07
16	David Longstaff	12.57	16	ML Benjamins	5.34	16	Paul Raymond	3.01
17	John Hanemaayer	10.63	17	Gordon Hunter	5.19	17	Pat Northey	2.88
18	Susan Lawton	10.50	18	Manfred Young	5.15	18	Carla Laubach	2.84
19	Malkin Howes	9.76	19	Martin Jones	4.59	19	Jane Cowan	2.51
20	Thea Davis	9.16	20	Andy Martinek	4.57	20	Ben Cornell	2.40
21	Lynda Burnett	8.76	21	Valirie Binkle	4.49	21	Anne Anderson	2.35
22	Dave Embury	8.55	22	Cheryl White	4.46	22	Pat Gascho	2.29
23	Diane Bourdeau	7.48	23	Belinda Burt	4.26	23	George Rybiak	2.20
24	Liz McDowell	6.88	24	Molly Worden	4.21	23	Richard Rybiak	2.20
25	Jim Dalgliesh	6.73	25	Judy Widdecombe	4.11	25	Hilary Kekanovich	2.17
			25	Vivian McLellan	4.11			

If you would like to play in a particular game but lack a partner that day, you can either:

- For both online and F2F games, log on to [Pianola](#), click on Partner Finder, and create a Partner Finder advert. This needs to be done at least a few hours in advance of the game. *When you use Partner Finder, it will allow folks to see your contact information. If you have posted a Partner Finder ad, kindly remember to check your phone and email and, when you've found a partner, delete your ad. Someone who replied to your ad may be waiting for a response.*
- For online games only, log in to the game in question and register yourself on the Partnership Desk tab (or look to see if someone else has already registered there).

We have fun in **spades**.

We play with all our **hearts**.

We treat our members like **diamonds**.

We like to confuse the opposition at our **club**.